



KINETIC BALANCE

POSITIVE

POSITIONING

POSITIONING PRODUCTS RANGE



STRAIGHT UP

THE BEST QUALITY



KINETIC BALANCE'S MISSION IS TO DEVELOP
AND PRODUCE HIGH QUALITY REHABILITATION
AIDS THAT ARE DISTINCTIVE IN APPEARANCE
AND FUNCTIONALITY.

CHEST POSITIONING	6/7
CHEST POSITIONING FLEX CONTROL	8/9
MEASUREMENTS	10/11
2-POINT HIP POSITIONING	12
4-POINT HIP POSITIONING	13
PELVIC POSITIONING	14
ANKLE POSITIONING	15
ABDUCTION POSITIONING	16
NEOPRENE CHEST BELT X	18
NEOPRENE MULTI-PURPOSE BAND	19
SHOWER BELT	19
PRODUCT OVERVIEW & ITEM NUMBERS	20/21



PRODUCT CHARACTERISTICS

UNIQUE FEATURES BY KINETIC BALANCE

'Kinetic Balance' has been providing its fresh take on positioning since its inception in 2004. Kinetic Balance products are detail-oriented and set themselves apart from the competition thanks to their unique features.

Kinetic Balance sets new standards time and again. First with the introduction of water-resistant materials and covered fasteners, with our flex-control vests and continuous improvements to both the construction, look and feel.



WATER AND DIRT REPELLENT



TRIMSTRIP



KB'S ORIGINAL.
COVERED FASTENERS



QUALITY CONTROL



GRIP PRINT



ROUND WEBBING ENDS





SUPER-DURABLE STITCHING



PREMIUM QUALITY MATERIALS



CLEAR SIZE INDICATION



ALL FASTENERS INCLUDED



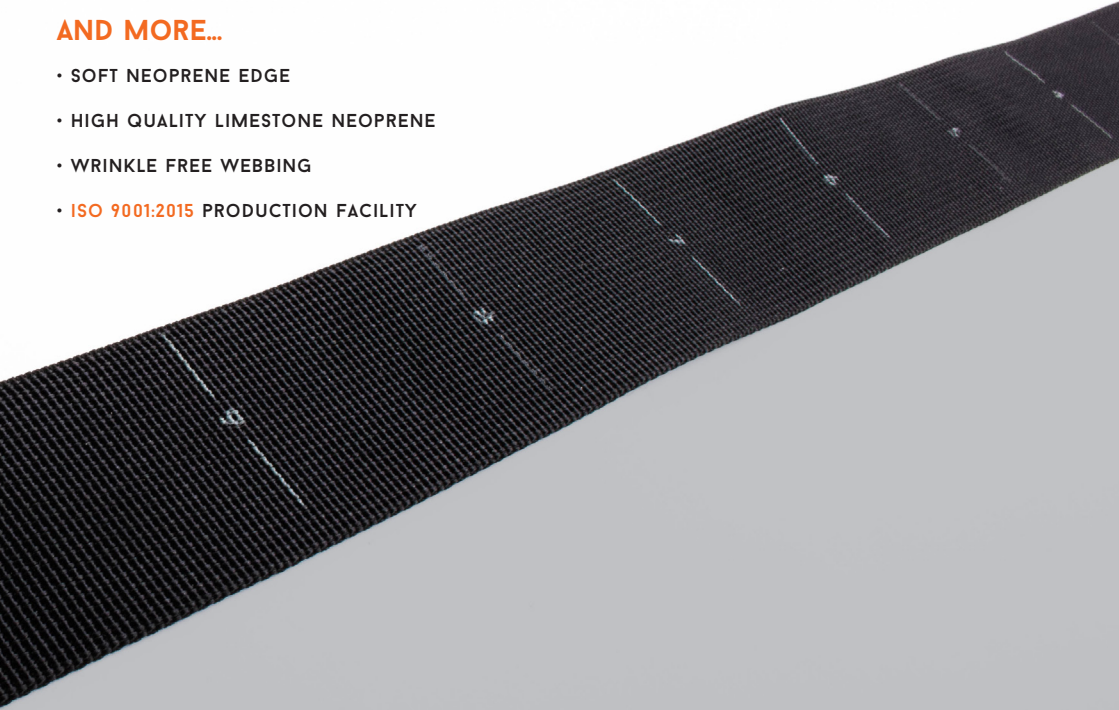
ACCORDING TO
DIRECTIVE 93/42/EEC



MATERIAL REINFORCEMENTS

AND MORE...

- SOFT NEOPRENE EDGE
- HIGH QUALITY LIMESTONE NEOPRENE
- WRINKLE FREE WEBBING
- **ISO 9001:2015** PRODUCTION FACILITY



ORIGINAL KINETIC BALANCE IDEAS
FOR POSITIVE POSITIONING.

CHEST POSITIONING

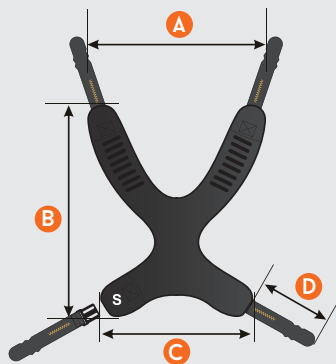


ALWAYS USE IN COMBINATION WITH A HIP BELT

WOMEN CHEST POSITIONING

ARTICLE NUMBER: 5.71014.X

SIZE: S & M



	A	B	C	D
S	220	300	220	600
M	280	360	250	600

All measurements in mm

MEN CHEST POSITIONING

ARTICLE NUMBER: 5.71012.X

SIZE: XS TO L



MEN CHEST POSITIONING ZIPPER

ARTICLE NUMBER: Z5.71022.X

SIZE: S & M



	A	B	C	D
XS	190	210	140	600
S	220	300	210	600
M	250	350	230	600
L	280	400	250	600

All measurements in mm

CHEST POSITIONING FLEX-CONTROL



ALWAYS USE IN COMBINATION
WITH A HIP BELT



THE FLEX-CONTROL LETS YOU
DETERMINE THE LEVEL OF FLEXIBILITY
TO SUIT YOUR NEEDS



THE TRIM STRIP ON THE ADJUSTABLE
STRAP MAKES CORRECT ATTACHMENT
EVEN SIMPLER

WOMEN CHEST POSITIONING FLEX-CONTROL

ARTICLE NUMBER: 5.71034.X

SIZE: S TO L



MEN CHEST POSITIONING FLEX-CONTROL

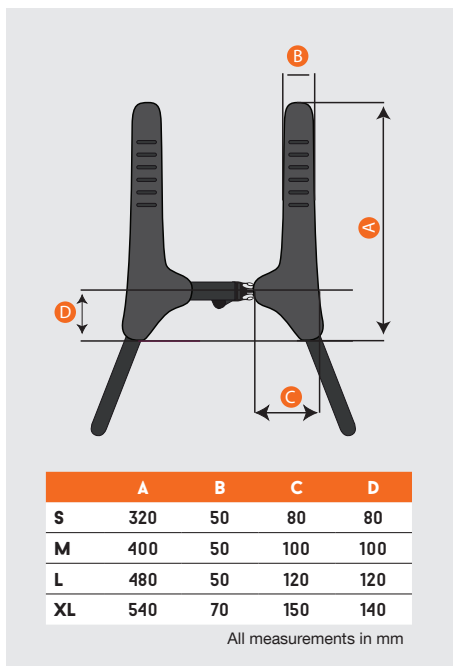
ARTICLE NUMBER: 5.71032.X

SIZE: S TO XL

Incisura Jugularis

H < 29cm = S
< 34cm = M
< 34cm = L
> 39cm = XL

SIAS



H-CHEST POSITIONING FLEX-CONTROL

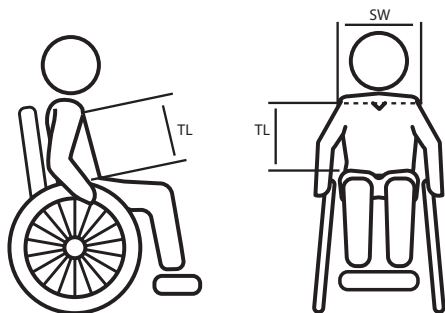
ARTICLE NUMBER: 5.81001.X

SIZE: S TO XL



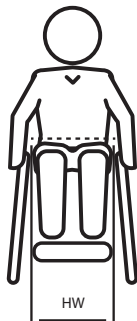
MEASURING

CHEST POSITIONING



TRUNK LENGTH MEASURED, WHEN SEATED,
FROM INCISURA JUGULARIS TO SIAS

BELTS, ABDUCTION AND PELVIC POSITIONING



HIP MEASURED FROM SIAS TO SIAS

ANKLE POSITIONING



CIRCUMFERENCE MEASURED
OVER MALLEOLI

RELEASE TYPES

SIDE RELEASE

SIDE RELEASE

CENTER RELEASE

CENTER RELEASE

PIN RELEASE

AIRPLANE BUCKLE



2-POINT HIP BELT

HIP BELT DOUBLE ADJUSTABLE

SIZE: XS TO XL

ARTICLE NUMBER: 6.70001.X



HIP BELT SINGLE ADJUSTABLE

SIZE: XS TO XL

ARTICLE NUMBER: 6.70002.X



HIP BELT CENTER RELEASE SINGLE ADJUSTABLE

SIZE: XS TO XL

ARTICLE NUMBER: 6.70003.X



HIP BELT CENTER RELEASE DOUBLE ADJUSTABLE

SIZE: XS TO XL

ARTICLE NUMBER: 6.70004.X



HIP BELT PIN RELEASE DOUBLE ADJUSTABLE

MAAT: XS TO XL

ARTICLE NUMBER: 6.70005.X



HIP BELT AVIATION RELEASE SINGLE ADJUSTABLE

MAAT: S TO XL

ARTICLE NUMBER: 6.70006.X



4-POINT HIP BELT

4-POINT HIP BELT SINGLE ADJUSTABLE

SIZE: XS TO XL

ARTICLE NUMBER: 6.70042.X



4-POINT HIP BELT CENTER RELEASE DOUBLE ADJUSTABLE

SIZE: XS TO XL

ARTICLE NUMBER: 6.70043.X



4-POINT HIP BELT DOUBLE ADJUSTABLE

SIZE: XS TO XL

ARTICLE NUMBER: 6.70044.X



4-POINT HIP BELT PIN RELEASE DOUBLE ADJUSTABLE

SIZE: XS TO XL

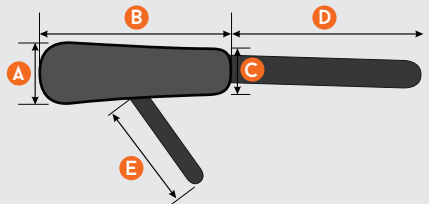
ARTICLE NUMBER: 6.70045.X



4-POINT HIP BELT CENTER RELEASE ADJUSTABLE

MAAT: XS TO XL

ARTICLE NUMBER: 6.70047.X



	A	B	C	D	E
XS	50	175	40	600	500
S	70	175	50	650	500
M	75	220	55	750	600
L	80	280	55	800	600
XL	95	330	60	800	700

All measurements in mm

PELVIC POSITIONING



PELVIC POSITIONING NON-STRETCH

ARTICLE NUMBER: 7.70001.X

SIZE: S TO XL



PELVIC POSITIONING STRETCH

ARTICLE NUMBER: 7.70002.X

SIZE: S TO XL



X < 18cm = S
 < 22cm = M
 < 30cm = L
 < 40cm = XL

	A	B	C	D	E	F
S	180	180	45	45	550	400
M	220	220	50	50	600	450
L	300	300	60	60	650	500
XL	400	400	80	80	750	550

All measurements in mm

ANKLE POSITIONING

ANKLE POSITIONING QUICK RELEASE CLOSURE

ARTICLE NUMBER: 8.70002.X

SIZE: XS TO L



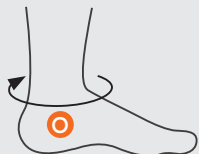
ANKLE POSITIONING VELCRO CLOSURE

ARTICLE NUMBER: 8.70001.X

SIZE: XS TO L

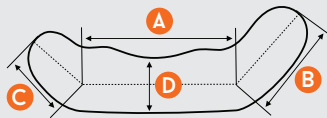


ALWAYS USE IN COMBINATION
WITH A HIP BELT



Contour of the malleolus
lateralis/medialis

O < 18cm = XS
< 22cm = S
< 26cm = M
> 26cm = L



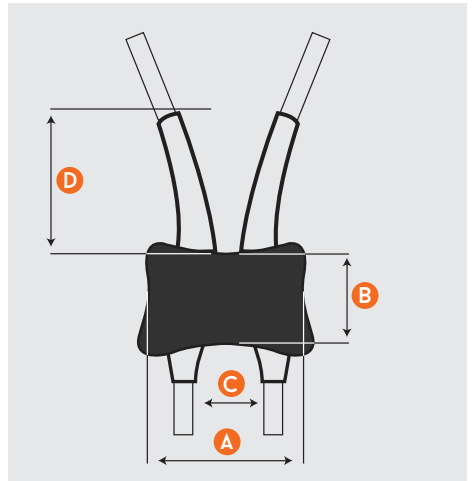
	A	B	C	D	E	F	G
XS	80	65	55	45	80	210	210
S	110	75	60	55	110	210	210
M	140	95	65	60	140	260	260
L	170	110	65	60	170	260	260

All measurements in mm

ABDUCTION POSITIONING



ARTICLE NUMBER: 9.70001.X
 SIZE: XS TO L



	A	B	C	D
XS	190	150	70	140
S	215	180	90	190
M	240	210	110	240
L	270	240	130	300

All measurements in mm

ASSORTED POSITIONING PRODUCTS



NEOPRENE CHEST BELT X

THE NEOPRENE CHEST BELT X IS A BIG STEP FORWARD IN SOFT COMFORT CHEST POSITIONING

ARTICLE NUMBER:
402X

SIZE: XS TO L

	A	B	C
XS	310	80	500
S	400	100	500
M	500	125	500
L	570	130	500

All measurements in mm



NEOPRENE MULTI-PURPOSE BAND

ARTICLE NUMBER: 5002

SIZE: M 128 X 10 CM



SHOWER BELT

THE SHOWER BELT IS MADE OF THE BEST MATERIALS AVAILABLE. IT ENSURES COMFORT AND FIT WHEN WET

ARTICLE NUMBER:
300X

SIZE: S TO L

	A	B	C
S	250	90	500
M	400	100	500
L	500	110	500

All measurements in mm



PRODUCT OVERVIEW & ITEM NUMBERS

CHEST

Men's chest positioning		
5.71012.0	XS	
5.71012.1	S	
5.71012.2	M	
5.71012.3	L	

Woman's chest positioning		
5.71014.1	S	
5.71014.2	M	

Chest positioning with zipper		
Z5.71022.1	S	
Z5.71022.2	M	

Men's chest positioning, flex-control		
5.71032.1	S	
5.71032.2	M	
5.71032.3	L	
5.71032.4	XL	

Woman's chest positioning, flex-control		
5.71034.1	S	
5.71034.2	M	
5.71034.3	L	

H-positioning, flex-control, non stretch		
5.81001.1	S	
5.81001.2	M	
5.81001.3	L	
5.81001.4	XL	

Neoprene Chest Belt X		
4020	XS	
4021	S	
4022	M	
4023	L	

PELVIC

Pelvic positioning non-stretch		
7.70001.1	S	
7.70001.2	M	
7.70001.3	L	
7.70001.4	XL	

Pelvic positioning stretch		
7.70002.1	S	
7.70002.2	M	
7.70002.3	L	
7.70002.4	XL	

ABDUCTION

Abduction positioning		
9.70001.0	XS	
9.70001.1	S	
9.70001.2	M	
9.70001.3	L	

ANKLE

Ankle positioning velcro closure		
8.70001.0	XS	
8.70001.1	S	
8.70001.2	M	
8.70001.3	L	

Ankle positioning quick release closure		
8.70002.0	XS	
8.70002.1	S	
8.70002.2	M	
8.70002.3	L	

MULTI-PURPOSE

Neoprene multi-purpose band		
5002	M	

■ HIP

2-point hip belt double adjustable

6.70001.0	XS	
6.70001.1	S	
6.70001.2	M	
6.70001.3	L	
6.70001.4	XL	

2-point hip belt single adjustable

6.70002.0	XS	
6.70002.1	S	
6.70002.2	M	
6.70002.3	L	
6.70002.4	XL	

2-point hip belt centre release single adjustable

6.70003.0	XS	
6.70003.1	S	
6.70003.2	M	
6.70003.3	L	
6.70003.4	XL	

2-point hip belt centre release double adjustable

6.70004.0	XS	
6.70004.1	S	
6.70004.2	M	
6.70004.3	L	
6.70004.4	XL	

2-point hip belt pin release double adjustable

6.70005.0	XS	
6.70005.1	S	
6.70005.2	M	
6.70005.3	L	
6.70005.4	XL	

2-point hip belt aviation release single adjustable

6.70006.1	S	
6.70006.2	M	
6.70006.3	L	
6.70006.4	XL	

4-point hip belt single adjustable

6.70042.0	XS	
6.70042.1	S	
6.70042.2	M	
6.70042.3	L	
6.70042.4	XL	

4-point hip belt centre release

6.70043.0	XS	
6.70043.1	S	
6.70043.2	M	
6.70043.3	L	
6.70043.4	XL	

4-point hip belt double adjustable

6.70044.0	XS	
6.70044.1	S	
6.70044.2	M	
6.70044.3	L	
6.70044.4	XL	

4-point hip belt pin release

6.70045.0	XS	
6.70045.1	S	
6.70045.2	M	
6.70045.3	L	
6.70045.4	XL	

4-point hip belt centre release adjustable

6.70047.0	XS	
6.70047.1	S	
6.70047.2	M	
6.70047.3	L	
6.70047.4	XL	

■ SHOWER

Shower belt

3001	S	
3002	M	
3003	L	



CLOTHING & BAGS
FOR SEATED PEOPLE



KINETIC BALANCE





POSITIONING PRODUCTS BY

HELLINGWEG 11-C

2583 DZ, THE HAGUE

THE NETHERLANDS

T: 0031 (0)70 217 09 08

E: INFO@KINETIC-BALANCE.COM

E: INFO@KINETICBALANCE.NL



KINETIC BALANCE

WWW.KINETIC-BALANCE.COM