



GottaGo

User Manual



Family Freedom



The Firefly GottaGo is a lightweight and portable seat made to enhance children's lives through toileting independence. It is a safe and posturally supportive seat, for use at home and away.

Please read all instructions carefully before using your GottaGo. All instructions can also be found on our website www.fireflyfriends.com/gottago along with videos, diagrams and FAQs.

Contents

- 01 Intended Use
 - 02 Certification
 - 03 Warnings and Cautions
 - 04 Terms of Warranty
 - 05 Safety Information
 - 06 Precautions and Contraindications
 - 07 Cleaning and Care Information
 - 08 Product Inspection and Servicing
 - 09 Important Guidelines
 - 10 Reissuing Firefly Products
 - 11 Instructions for Use
 - 12 Clinical Set Up
 - 13 Disassembling and Packing Up the Toilet Seat
 - 14 Technical Information
-

SECTION 01: Intended Use

Intended use

The GottaGo toilet seat is intended to provide postural support for children with disabilities in order to facilitate toileting.

The GottaGo is a portable toilet seat intended to facilitate toileting at home and in the community.

Indications for use

We recommend that an adult completes product inspections in accordance with Section 08 of this user manual to ensure the product is safe to use.

The GottaGo toilet seat is indicated for use within a level surfaced bathroom environment. The seat is intended to provide postural support to children with varying disabilities which effect their ability to sit unsupported. Users may include, but are not limited to, non-ambulatory children with a neuromuscular, congenital or chromosomal disorder, spinal cord injury or global developmental delay. GottaGo is designed for children aged approximately 2-9 years with a maximum user weight of 30kg (66lbs).



Children should not be left unattended in their GottaGo toilet seat at any time, as they could be at risk of injuring themselves.

SECTION 02: Certification

The GottaGo is classified as a Class I Medical Device under EU and UK regulations. As the manufacturer, James Lockey Design Limited, declares that this product conforms to the Medical Device Regulation (2017/745), UK Medical Device Regulations 2002, Medical Device Directive (93/42 EEC) and EN 12182:2012 Assistive products for persons with disability, general requirements and test methods.

Note: General user advice. Not following these instructions may result in physical injury, damage to the product or damage to the environment.

Note: Children should wear the safety belt at all times when seated in the GottaGo.

SECTION 03: Warnings and Cautions

Caution Daily Checks:

- Always attach the safety belt immediately when user is seated in the GottaGo.
- The GottaGo is to be checked daily before use to ensure that all straps and seating elements are securely attached.
- Always thoroughly read instructions before use.
- Always visually inspect the product before use. If in doubt, STOP. If you suspect or know the product or a part is faulty, STOP. Contact our customer services department or local dealer as soon as possible.
- Always check that the footplate is secure.
- The carer should not touch any moving joint or pivot that is not locked.
- Ensure there is adequate access space on all sides of the product. Shifting the user while seated or any adjustments of GottaGo whilst user is seated is not advisable.
- Before placing the user in the product, ensure the product is configured to the user's needs and check its stability.
- When assembling or adjusting

the position of the toilet seat components, take care that fingers do not get pinched.

- Always ensure all four legs have safety locks fully engaged before placing the user in the product.
- Never move or lift the GottaGo with the child in it.

When user is first seated.

- User transfers in and out of the product must be done with appropriate equipment and personnel.
- If the user exhibits any form of distress, remove the user from the product as quickly as is safely possible.

Caution Finger Pinch Hazard:

- Take care when assembling or adjusting the position of the seat components that your fingers do not get pinched when positioning seat components and tightening mountings. Due to the flexible contouring nature of the GottaGo Toilet Seat design please be aware of finger pinch hazards around areas between the seat and the frame when the user is seated and active.

Warning Toppling Hazard:

- Attach the safety belt immediately when user is seated in the GottaGo.
- Never use the GottaGo on uneven ground.

- Never leave the child unattended whilst seated in the product.
- Always check that the footplate is secure before the user is transferred into the seat and the foot straps are secured after the safety belt has been applied
- **Warning Finger Trap Hazard:** Take care that the fingers of the operator, or children in the vicinity do not get trapped in the spaces between the seat and the frame.
- **Warning Occupant security:** Ensure that all of the occupant harnesses and especially the foot straps are fastened and adjusted to hold the occupant securely in place before toileting. Never leave the child unattended whilst seated in the GottaGo.
- **Caution Storage:** The product should be kept away from all direct sources of heat, including naked flames, cigarettes, electric and gas heaters.
- **Caution Bringing into Use:** When bringing the GottaGo out from storage, allow it to acclimatise to ambient temperature first. Wipe off any moisture that has condensed on the product.
- **Caution Disposal:** Only dispose of the GottaGo in a community waste disposal site under the correct recycling category.

Further Cleaning Metal and Plastic Components

- Soap and water or antibacterial spray can be used for daily cleaning.
- Do not use solvents to clean plastic or metal components.
- Always ensure the product is dry before use.

General Care

- **Caution Cleaning:** Clean the GottaGo regularly to prevent the build up of dirt on the seating elements and the frame. Accumulated dirt can prematurely wear the seat mouldings and encourage corrosion in the frame. Only use non-abrasive household cleaners and moist cloths.
- **Caution Cleaning Power Washers/ Hoses:** Do not use hoses or power washers on the frame, the frame is not sealed against running water and may be damaged by water.
- The GottaGo Backpack can be machine washed at 40C. Do not tumble dry.

SECTION 04: Terms of Warranty

The warranty for GottaGo applies only when the product is used according to its intended use, following all manufacturer's specifications. A one year warranty is provided with this James Leckey Design Ltd. manufactured product.

Goods can be returned to us for warranty, repair or replacement up

to 12 months from receipt. Once you contact us, we will arrange collection of the goods at our expense and, once returned to us we will repair or replace goods and return them to you within 14 days. In all cases, it is the customers' responsibility to ensure the goods being returned are suitably packaged, preferably in the original packaging.

SECTION 05: Safety Information

1. Always read user instructions fully before use.
2. Children should not be left unsupervised at any time when using this product.
3. Check that all of the GottaGo components are securely assembled according to user instructions before use.
4. Please ensure the safety belt and foot straps are used at all times.
5. GottaGo must be placed on a dry, solid, static surface. Never use GottaGo on a sloping surface.
6. The maximum user weight for GottaGo is 30kg (66lbs). This should never be exceeded.
7. Never use the footplate to prop the child on during transfers.
8. Do not modify GottaGo or use components other than Firefly approved components with GottaGo at any time. This may put your child at risk and also invalidate your warranty.
9. GottaGo should be kept away from all direct sources of heat including naked flames, cigarettes, electric and gas heaters.
10. Clean the product regularly in accordance with Section 07 of this user manual.
11. Complete maintenance checks on a regular basis to ensure your product is in good working condition. GottaGo should not be used if any of the parts are faulty.
12. It is not possible for us to provide specialised moving and handling advice as the circumstances will differ for each family. For guidance on moving and handling, consult with your therapist.
13. If you are in any doubt about the safe use of GottaGo, or if any parts should fail, please cease using the product immediately and contact Firefly customer services on UK 0800 318265 or ROI 1800 626020.
14. The GottaGo Backpack is suitable for loads up to 15kg, do not exceed this.



Children should not be left unattended in their GottaGo toilet seat at any time, as they could be at risk of injuring themselves. Care should be taken when unfolding the frame as hands are in close proximity to moving parts.

SECTION 06: Precautions and Contraindications

Precautions

The GottaGo may not be suitable for children and young people with the following presentations:

- Fixed spinal deformities such as scoliosis or kyphosis
- Severe muscle contractures
- Severe muscular or skeletal asymmetry (differences between left and right sides of the body) including hip dislocation
- Progressive and muscle wasting conditions
- High risk of bone fractures
- High risk of pressure related injury or open sores
- Strong, uncontrolled movement patterns
- Children dependent on the use

of percutaneous endoscopic gastrostomy

- Medical instability including compromised respiratory function
- Dependant on 3rd party lifesustaining apparatus such as oxygen tanks
- Learning disabilities and/or behavioural issues

Contraindications

There are no contraindications associated with the GottaGo.

SECTION 07: Cleaning and Care Information

When cleaning GottaGo we recommend that you use warm water and non-abrasive detergents, never use organic solvents or dry cleaning fluids.

The safety belt and foot straps can be removed and cleaned with warm soapy water when required.

Soap and water or antibacterial spray can be used for cleaning the frame, do not use solvents when cleaning the frame.

SECTION 08: Product Inspection and Servicing

We recommend that various checks of GottaGo are carried out before each use to ensure the product is safe. The recommended checks are listed below:

1. Ensure the seat is connected correctly to the frame and check that it is stable and secure before placing the child in.
2. Ensure the safety belt and foot straps are securely fixed to the seat back and footrest respectively.
3. Check the safety belt and foot straps for any wear and tear.
4. Check the ratchet straps for any cracks or damage.
5. Check the frame connections are clear of debris with no signs of wear and tear.

For all service related issues please refer to the Firefly website www.fireflyfriends.com or contact Firefly on customer.enquiries@fireflyfriends.com

SECTION 09: Important Guidelines

Ensure GottaGo is on a stable surface before transferring a child into the product. Open the backrest angle by loosening the ratchet straps while ensuring they still remain connected and secure. Further adjustments can be made after the child has been securely positioned in the seat and the safety belt applied.

Ensure the safety belt and foot straps are ready to be fitted as soon as a child is placed in their GottaGo. Please exercise caution and monitor your child closely while any alterations are made to adjust the safety belt and/or foot straps.

SECTION 10: Reissuing Firefly Products

If you wish to pass your GottaGo toilet seat on to another family when your child outgrows it, we would advise thoroughly cleaning the seat, frame and backpack for personal hygiene reasons. Ensure a copy of the user manual is provided with the product. A copy can be requested by contacting our Customer Care Team at customer.enquiries@fireflyfriends.com or via our website at www.fireflyfriends.com/gottago.

If you are in any doubt about the continued safe use of your Firefly product or if any parts should fail, please cease using the product and contact Firefly by Leckey customer services on [**customer.enquiries@fireflyfriends.com**](mailto:customer.enquiries@fireflyfriends.com)

Before re-issuing a product, it is recommended that it is disinfected using one of the following procedures:

Note: Always clean the product first to remove accumulated soiling prior to disinfecting/sanitising.

1. Where possible, we recommend the use of an automated “fogger” disinfection system that is used to completely cover the product surfaces with a disinfectant agent. The manufacturer’s instructions for the chosen system should be referred to prior to use and followed exactly.
2. Where an automated disinfection system is not available, all product surfaces should be wiped over with antibacterial surface wipes. The manufacturer’s instructions for the chosen product should be followed. Product upholstery and fabrics should be cleaned thoroughly in accordance with section 7, Cleaning and Care Information, of this manual.

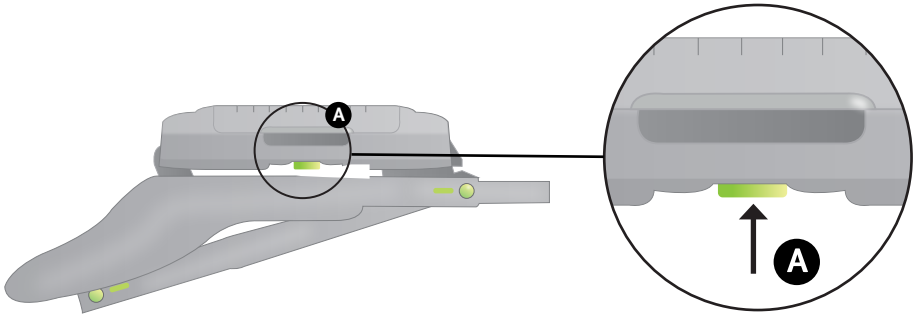
SECTION 11: Instructions for Use

11.1 Unfolding the GottaGo frame

Your GottaGo frame will look like this when removed from the box.

- 1 Frame
- 2 Safety Belt
- 3 Backpack
- 4 Seat
- 5 Potty
- 6 Footplate





The GottaGo is designed only to be used on level ground.

To **unfold the frame**, identify the buttons **A** on the underside of the frame.

For ease of assembly hold the GottaGo frame the right side up (where the legs are folded underneath) and push in the buttons from behind **A** simultaneously to release the legs.

When unfolding the legs, ensure the feet are resting on the ground as opposed to up in the air.

Unfold the legs until an audible click is heard.

Check that all four leg are fully apart and locked in position.

Set the GottaGo frame on level ground.

11.2 Adjusting the GottaGo frame height

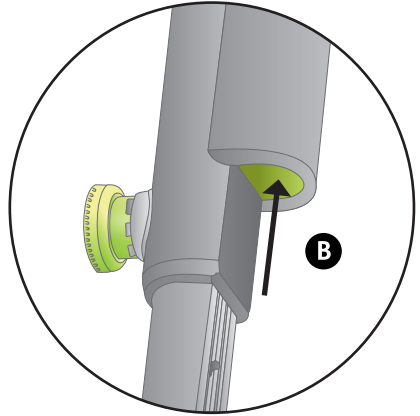
The GottaGo has 3 height adjustment settings; Potty height **1**, standard height **2** and disabled toilet height **3**.



The height is indicated by **green numbered indicators** on each of the legs.

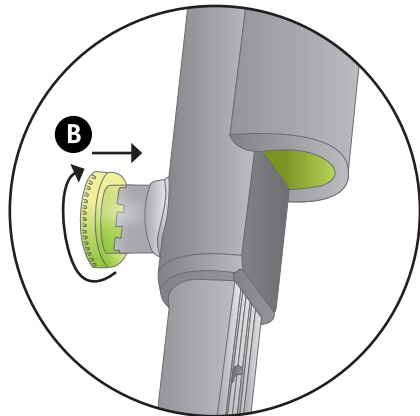
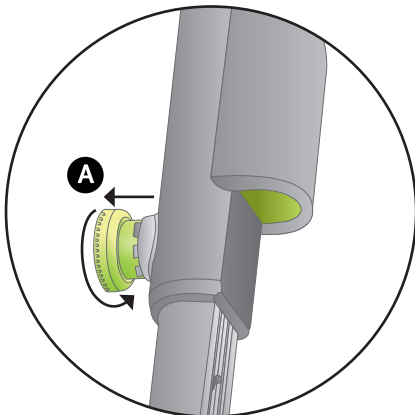


Next identify the height adjustment push buttons on the inside of each of the frame's legs **B**



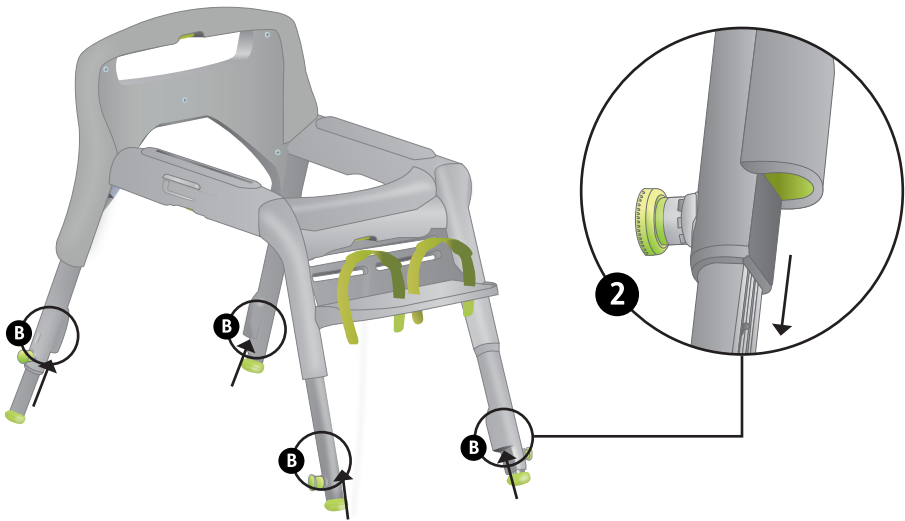
To adjust the height of frame, each leg has a safety lock **A** which must be disengaged first. Pull this locking pin **A** outwards and then quarter turn to release safety lock.

To engage the safety lock, quarter turn and push locking pin back into place **B**

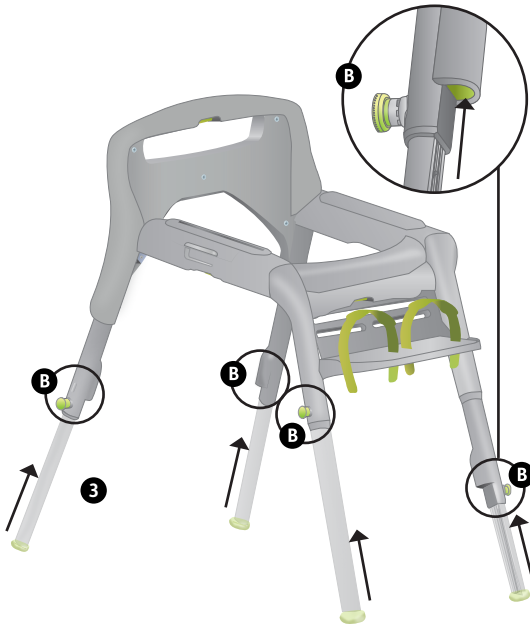


To adjust to standard height:

Disengage the safety lock. With the GottaGo frame set upright, push in the front buttons **simultaneously** **B** and gently begin lifting the GottaGo frame upwards. **Repeat** this motion with the rear buttons. Engage safety locks again by quarter turning and pushing inwards.



As you lift **release the button**. This will allow the legs to drop down to standard height **2**. You will hear an audible click. Repeat for 2 rear legs.



To adjust to disabled toilet height:

With the GottaGo frame set upright, **hold** in the front buttons **B** simultaneously and gently begin lifting the GottaGo frame upwards. This will allow the legs to drop down to the fully extended height **3**. You will hear an audible click. Repeat this for rear legs.

Ensure each of the legs is set to an even level as identifiable through the **green numbered indicators**.

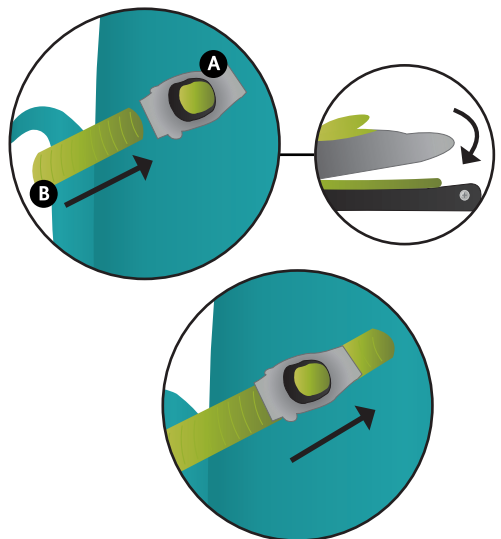
Return safety lock to engaged position by quarter turning and pushing inwards.

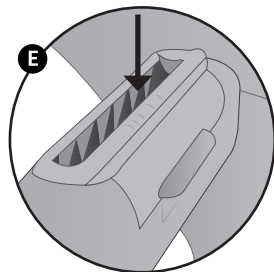
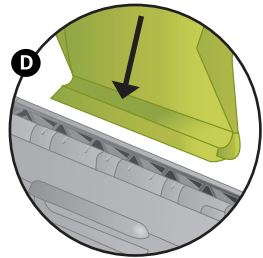
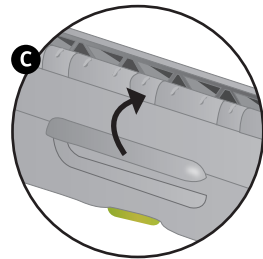
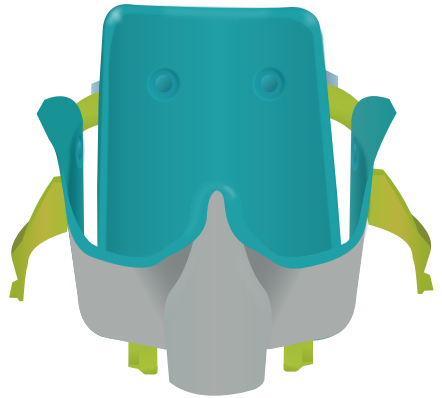
11.3 Attaching the GottaGo seat to the frame

When your frame is set up following the instructions in section **10:1** and **10:2**, you can place the GottaGo seat in the frame. The ratchet **A** and ratchet straps **B** firstly need to be secured.

To do this, feed the ratchet strap **B** through the ratchet **A**. You will know the connection has been made when you hear audible clicks as the ratchet strap **B** is pushed through the ratchet **A**.

Set the seat to the side for now while you prepare the frame.





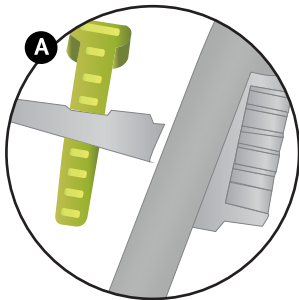
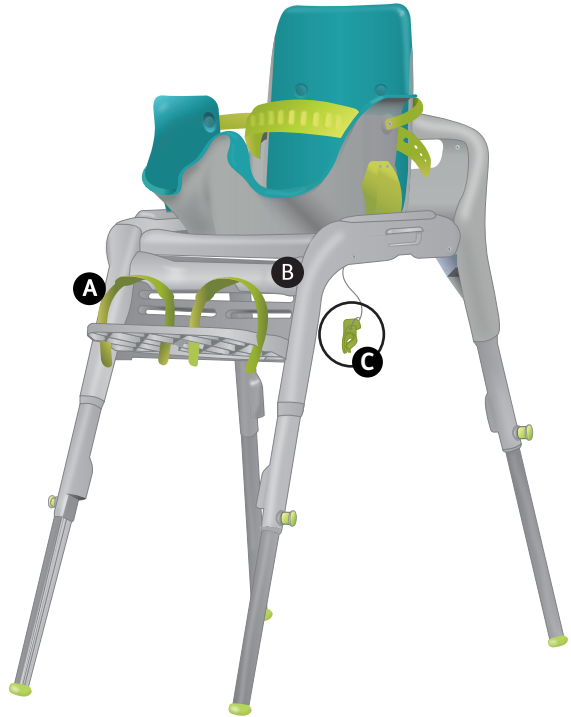
On the main grey frame unlock the frame connectors **C** on either side by pulling upwards.

Attach the GottaGo seat to the frame by aligning the seat connectors **D** over the receiving groove **E**. The groove **E** has visual indicators which will help you align the seat connectors to the frame symmetrically. Push the seat connectors **D** into the receiving groove **E** and then lock the seat to frame connectors **C** by pushing down on them. You will hear an audible snap to indicate they are locked.

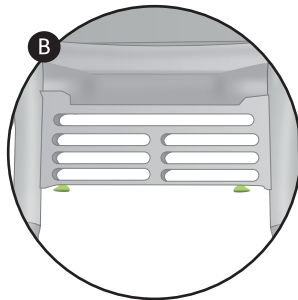
11.4 Attaching the footplate

The footplate **A** can be attached by easily slotting into one of four designated positions on the frame **B**. An audible click will be heard when it slots in.

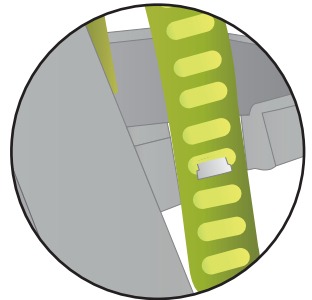
When you are content with the height of the footplate, engage the hooking locks.



Slot in the footplate



Slots for inserting footplate



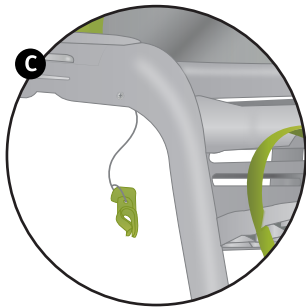
Tabs for securing the foot straps

Inserting Hooking Lock

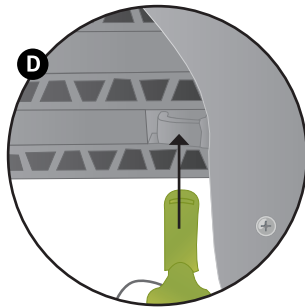
Insert the hooking lock **C** by pushing it into the receiver **D** at the rear of the footplate. To do this, ensure that the hook is the correct way up, with the hook at the top **E**.

Once you have attached the footplate in the desired position, the footplate can remain in place, even when folded.

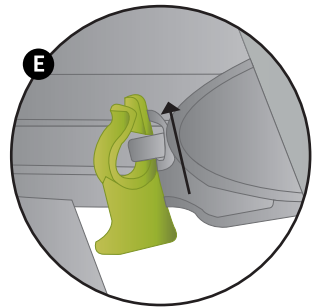
If the height of the footplate needs to be readjusted at a later point, remove the hooking lock and footplate, and reattach following the steps above.



Hooking lock



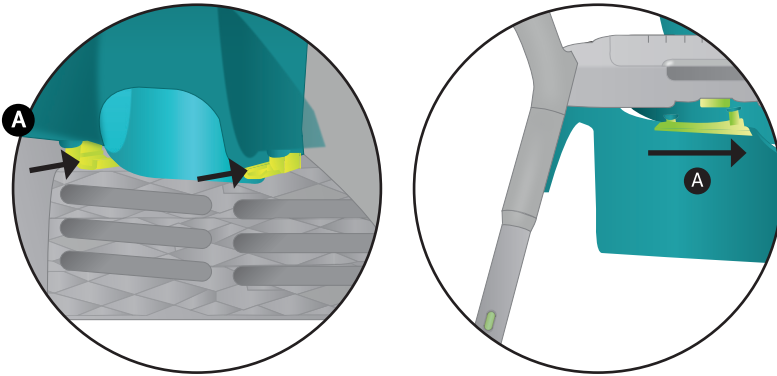
Attaching the hooking lock into the receiver



Secured with hoop at the top

11.5 Attaching the potty

The potty can be attached by sliding along the rails **A** until the front of the potty reaches the splash guard on the seat.



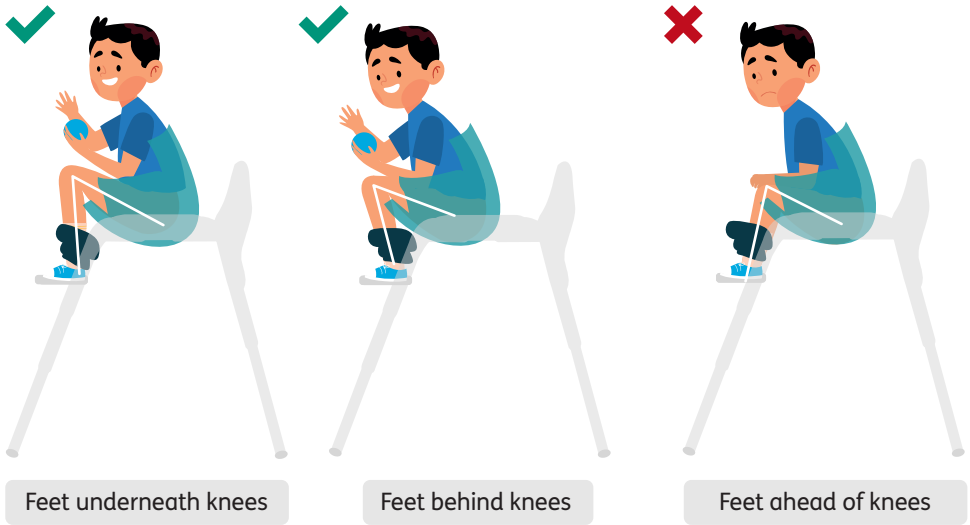
SECTION 12: Clinical Set Up

12.1 Adjusting the Seat Position

After your dry run of the seat, you should have an idea of a suitable seat position for your child. The most desirable position to achieve is having the feet behind or underneath the knees.

Unlock the seat connectors in the frame. To do this, gently push the side of the seat towards the frame and then lift the lock.

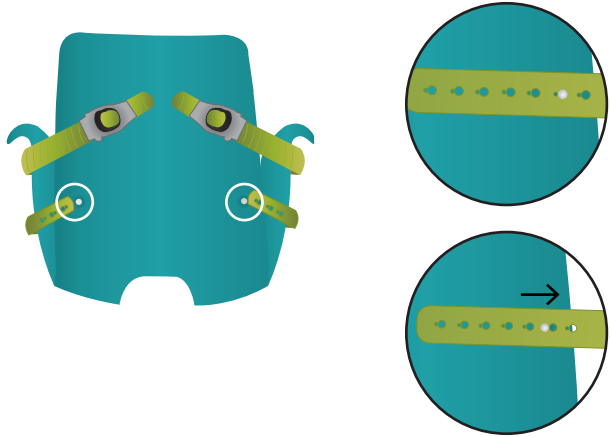
Slide the seat along the groove to the desired position and then ensure the seat is locked back into place.



Do not adjust the seat with your child in it.

12.2 Attaching the safety belt

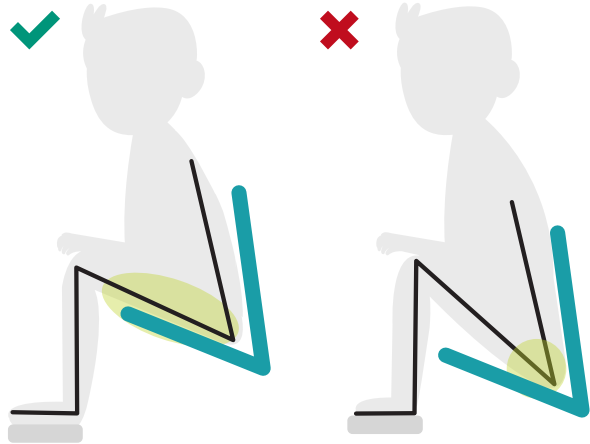
Attach the safety belt using the attachment points on the back of the seat. Choose a notch that will be comfortable but secure for the child and hook onto attachment point on both sides.



12.3 Checking the footplate height

Ensure the footplate is at a height that enables weight-bearing along the full length of the thigh. Having the footplate too high can cause excess pressure to the bottom, which hinders relaxation.

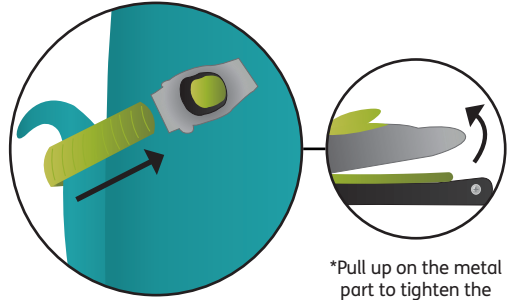
Adjust the length of the foot straps to give a firm hold over the top of both feet.



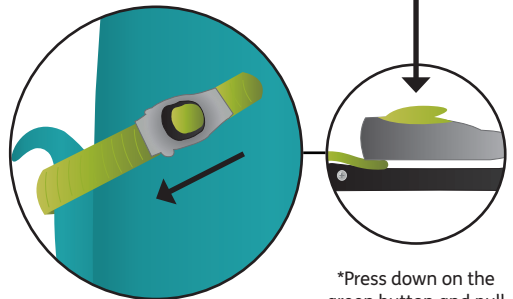
12.4 Adjusting the Back Angle

The ratchet straps can be adjusted to prompt your child to lean forward and help them rest their arms onto the armrests or their legs to help provide natural anterior trunk and head support. This will also help provide contoured lateral and posterior support and promote relaxation of the bowels and pelvic floor muscles.

Closing the back angle may reduce high muscle tone. The ratchet straps can be set up asymmetrically if required.



*Pull up on the metal part to tighten the ratchet strap.



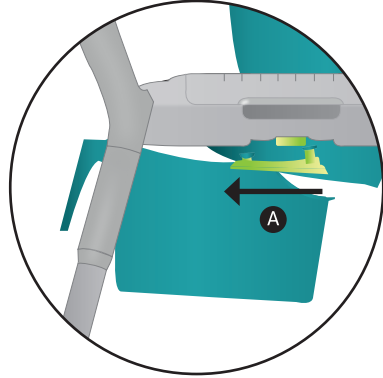
*Press down on the green button and pull on the ratchet strap to loosen.

SECTION 13: Disassembling your GottaGo

13.1 Removing the Potty

If the potty has been used, carefully slide it along the rails **A** away from the splash guard.

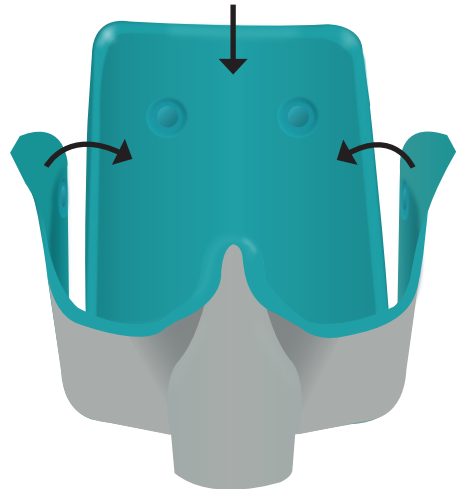
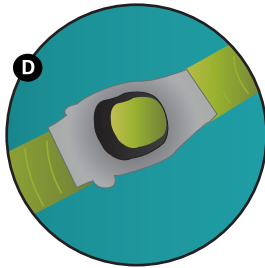
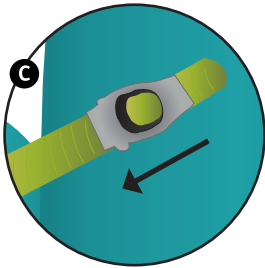
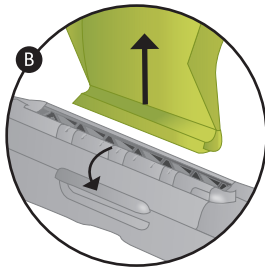
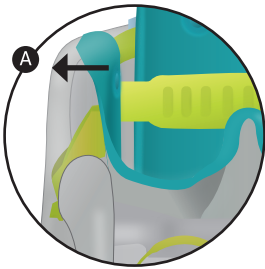
Dispose of contents as necessary and wash thoroughly.



13.2 Removing the Seat

Unlock the seat connectors in the frame **A**. To do this, gently push the side of the seat towards the frame and then lift the lock **B**.

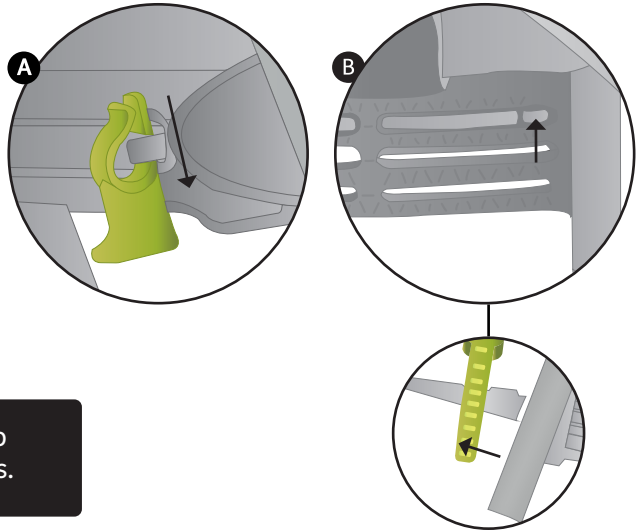
Release the ratchet straps **C** by pressing the release button **D** and pulling the ratchet strap free of the ratchet. Fold sides of the seat inwards, folding the backrest on top of them. Use the seat strap to hold in place.




13.3 Removing the Footplate

If removing the footplate, ensure the locking hooks **A** are released.

Press the thumb release catches **B** at either side of the footplate and slide out of the slot.



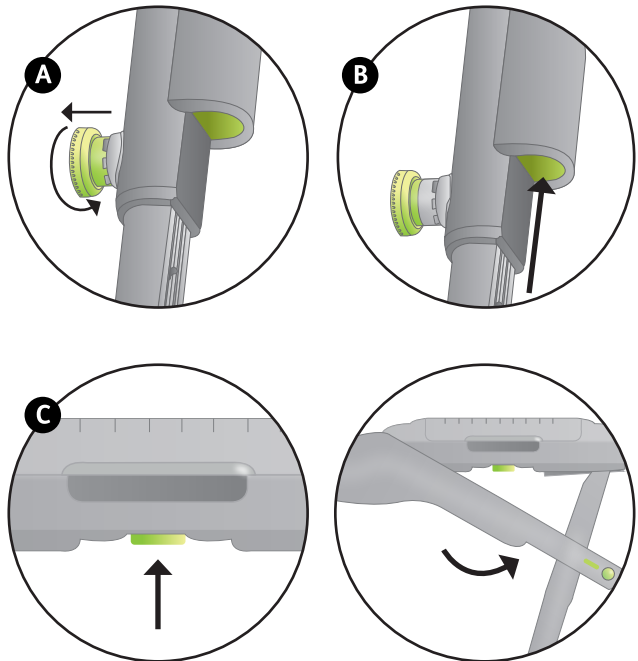
 Do not pull on cord to remove locking hooks.

13.4 Folding the Frame

Release safety lock **A** from engaged position and press the button **B** on the inside of the legs to return to the lowest height setting, ready to fold away.

Before folding, ensure GottaGo is on the ground and legs are fully apart, then press in the buttons on the underside of the frame **C** lift up and fold.

Fold the rear legs under first as shown, followed by the front legs until you hear a click.

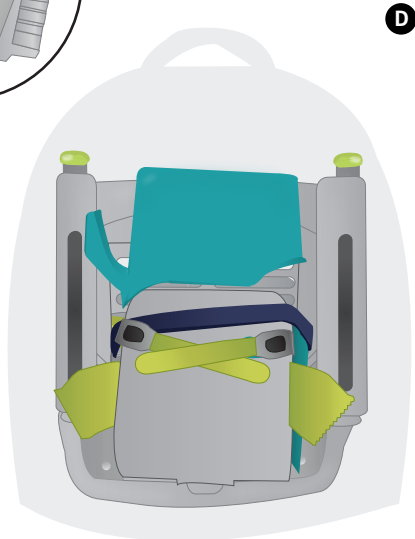
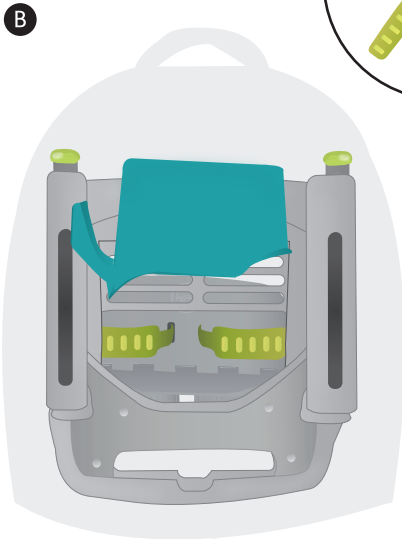
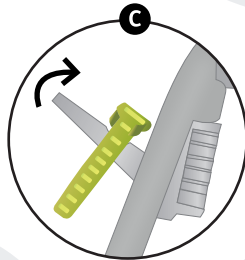


13.5 Packing the Backpack

Take your folded frame **A** and slide it into the backpack by holding onto the frame handle.

Take your potty **B** and put it into the bottom of the backpack, it will fit in the gap between the frame legs.

Slide the footplate **C** into the gap behind the frame, if removing. Take your folded seat **D** and set into available gap in the backpack.



SECTION 14: Technical Information

Seat








	Size 1	Size 2
Age	2-5 years	4-9 years
Hip Width	22.5cm	27 cm
Minimum Seat depth*	22 cm	29 cm
Backrest incline angle (forward)	8°	25°
Thigh angle (off horizontal)	40°	40°
Backrest height	24cm	36cm
Weight (seat and frame)	5.8 kg	6.1 kg

Frame

Frame folded size	51 x 56 x 19 cm / 20 x 22 x 7.5in
Frame floor footprint	52 x 74.5cm/ 20.5 x 29.3 in (at max height)
Maximum user weight	30 kg
Height (lowest part of the seat)	1 – 30cm/11.8 in 2 – 46cm/18 in 3 – 53cm/ 20.9 in

*For boys sizing it is recommended to choose the larger size providing they meet the minimum seat depth measurement

Table of Symbols

Symbol	Meaning
	Medical Device
	Read the Instructions for Use
	CE mark
	Manufacturer
	Model number
	Serial number
	Max occupancy weight



FireflyFriends Ltd
19c Ballinderry Road
Lisburn BT28 2SA
Northern Ireland

fireflyfriends.com

(+44) 28 9267 8879
hello@fireflyfriends.com



Distributor information can be found on the Firefly website
at : www.fireflyfriends.com/uk/distributor-information

Date of Preparation: June 2021



LS934-01